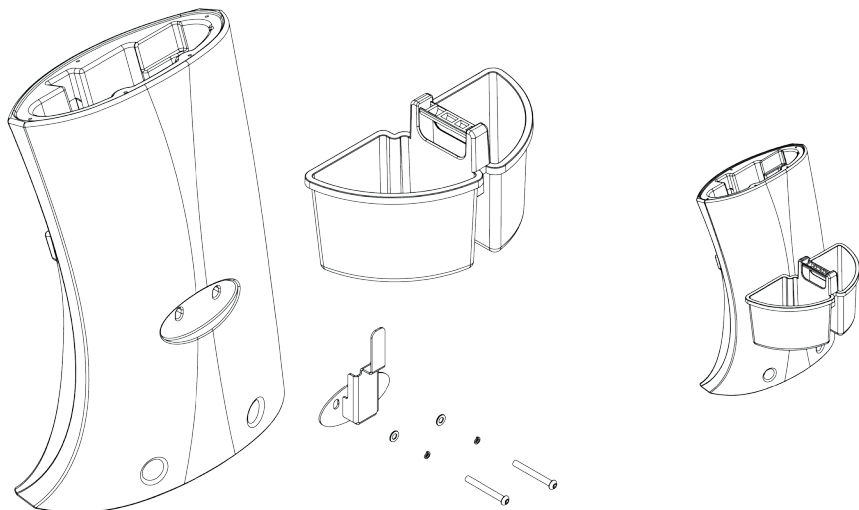


CRO Caddy Kit Assembly

As part of Numatic International's commitment to product support, we have produced a caddy attachment kit for the front of your CRO machine.

Remove the name plate and refit the kit bracket using the original fixing bolts.

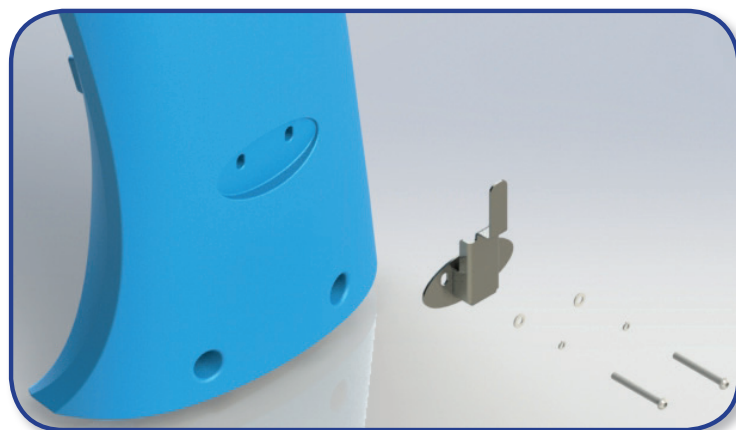
CRO 8055



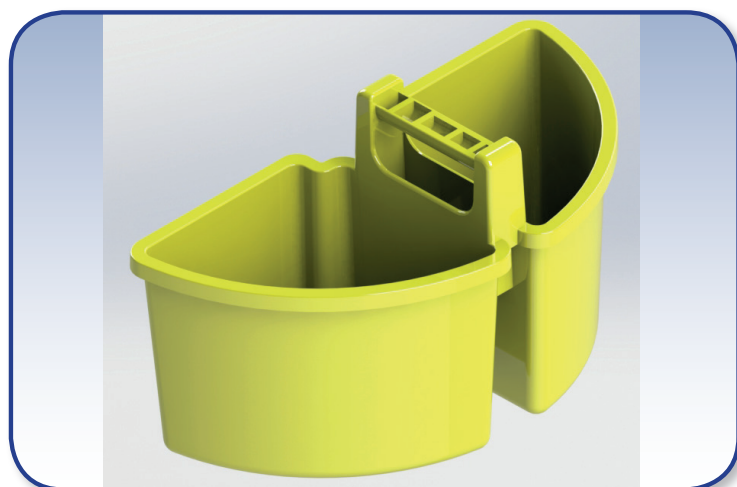
PART NO.	DESCRIPTION
902505	CRO Red Caddy Kit
902506	CRO Blue Caddy Kit
902507	CRO Green Caddy Kit
902508	CRO Yellow Caddy Kit



Using 5mm allen key.
Remove the Name plate, keep the retaining bolts.



Using 5mm allen key.
Fit the caddy mounting plate, using the original retaining bolts.



Place the caddy onto the mounting plate.